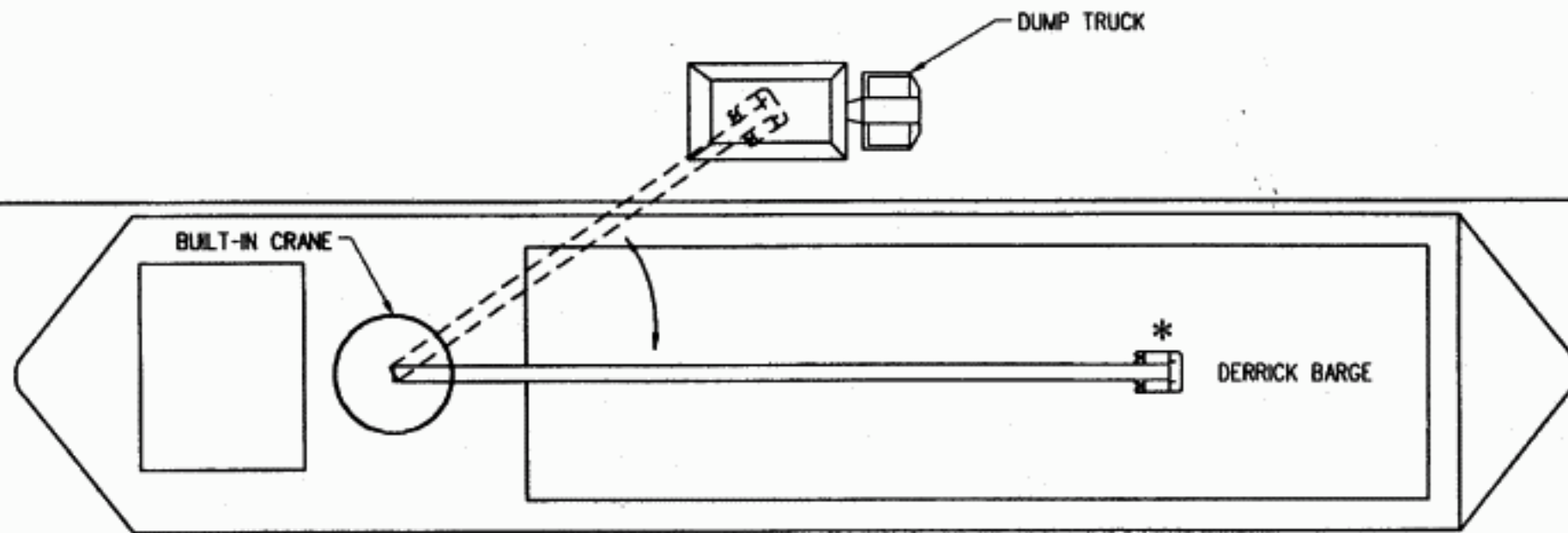


LAND

SEA



* The reach of the jig shall be controlled to within the length of the barge to minimise loss of C&D material.

CH2M HILL (China) Limited

AGREEMENT NO. PW 01/2002
PROJECT PROFILE FOR FILL BANK AT TUEN MUN AREA 38 - INVESTIGATION

土木工程署
Civil Engineering
Department

SCALE	NA	DATE	Sep 2002
DESIGNED	EN	DRAWN	CC

Use of Derrick Barges with Built-in Crane

FIGURE M3

REV
0